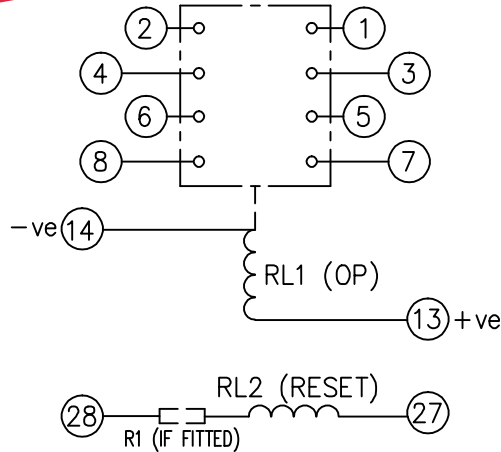


LOOKING ON FRONT OF RELAY

2112W50031

**NOT SUBJECT TO UPDATE
ONCE COPIED / PRINTED
OR DOWNLOADED**



NOTE:
RESET COILS ARE NOT CONTINUOUSLY RATED.
IT IS RECOMMENDED THAT A N.O. CONTACT IS
CONNECTED IN SERIES WITH THE RESET COIL.

KEY

- make contact
- break contact
- c/o contact
- ext. conn
- plug bridge - shorting
- metering point
- 5Kv barrier
- test socket - shorting
- plug & socket

R1	NIL	2102C15687	NIL	2102C15270	NIL	2102C15471
Volts dc	24	30	48	60	125	240
CONTACT CONFIG.	OUTPUT CONTACT PAIR / TERMINAL No.					
	1-3	2-4	5-7	6-8	9-11	10-12
4M	M	M	M	M		
3M 1B	M	B	M	M		
2M 2B	B	B	M	M		
1M 3B	B	B	M	B		
4B	B	B	B	B		

NOTE: WHEN RECTIFIER IS SPECIFIED
COIL CONNS. ARE AS SHOWN.

OPERATION RESET

FRAME REFERENCE: E2FAQM.

FRAME TERMINAL BLOCK ASSY: -

ASSEMBLY INSTRUCTIONS: -
TYPICAL ASSEMBLY DRAWING 2995G10032.
AT INDICATED POSITIONS FIT AS FOLLOWS:
T - FIT TRIP ISOLATION CONTACT 2995B10053
S - FIT STANDARD CONTACT 2995B10054
SECURE CONTACTS USING FIXING SCREW
2109F99009.
POSITIONS SHOWN BLANK ARE UNUSED

2	T	T	1
4	T	T	3
6	T	T	5
8	T	T	7
10			9
12			11
14	S	S	13
16			15
18			17
20			19
22			21
24			23
26			25
28	S	S	27

VIEW FROM NUMBERED
SIDE OF BLOCK

OUTER TERMINAL BLOCK ASSY: -

ASSEMBLY INSTRUCTIONS: -
TYPICAL ASSEMBLY DRAWING 2995G10029.
AT INDICATED POSITIONS FIT AS FOLLOWS:
S - FIT STANDARD CONTACT 2995B10051
HC - FIT 'HEAVY CURRENT' KIT 2995G10030
WHERE IS SHOWN FIT CT SHORTING
KIT 2995G10031
POSITIONS SHOWN BLANK ARE UNUSED.
ALL POSITIONS FIT SCREW 2106F12506.

2	S	S	1
4	S	S	3
6	S	S	5
8	S	S	7
10			9
12			11
14	S	S	13
16			15
18			17
20			19
22			21
24			23
26			25
28	S	S	27

VIEW FROM INSIDE
FACE

Title: T.B. AND W.D. FOR AR1-3/AR1-6 4 CONT. RELAY IN EPSILON E2 CASE.			First used on:		
3 RDW 10/06/09 MN112/3151			Similar Articles:		
2 RDW 14/9/06 MN112/2830			Supersedes:		
1 22/03/99			Drg.No. 2112W50031		
ISSUE DATE MOD.No.			Original Scale.		
DRAWN: A.LAW.		CHECKED:	APPROVED: R.D.WATSON	DATE: 16/07/02	Copyright © 1998 Reyrolle Ltd.